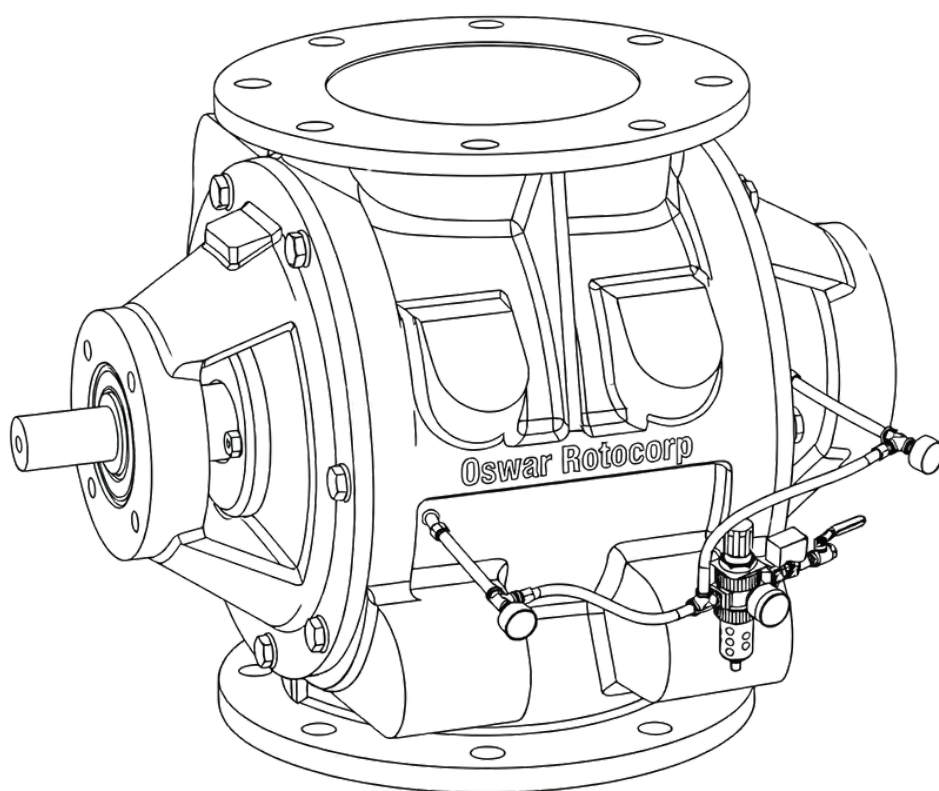
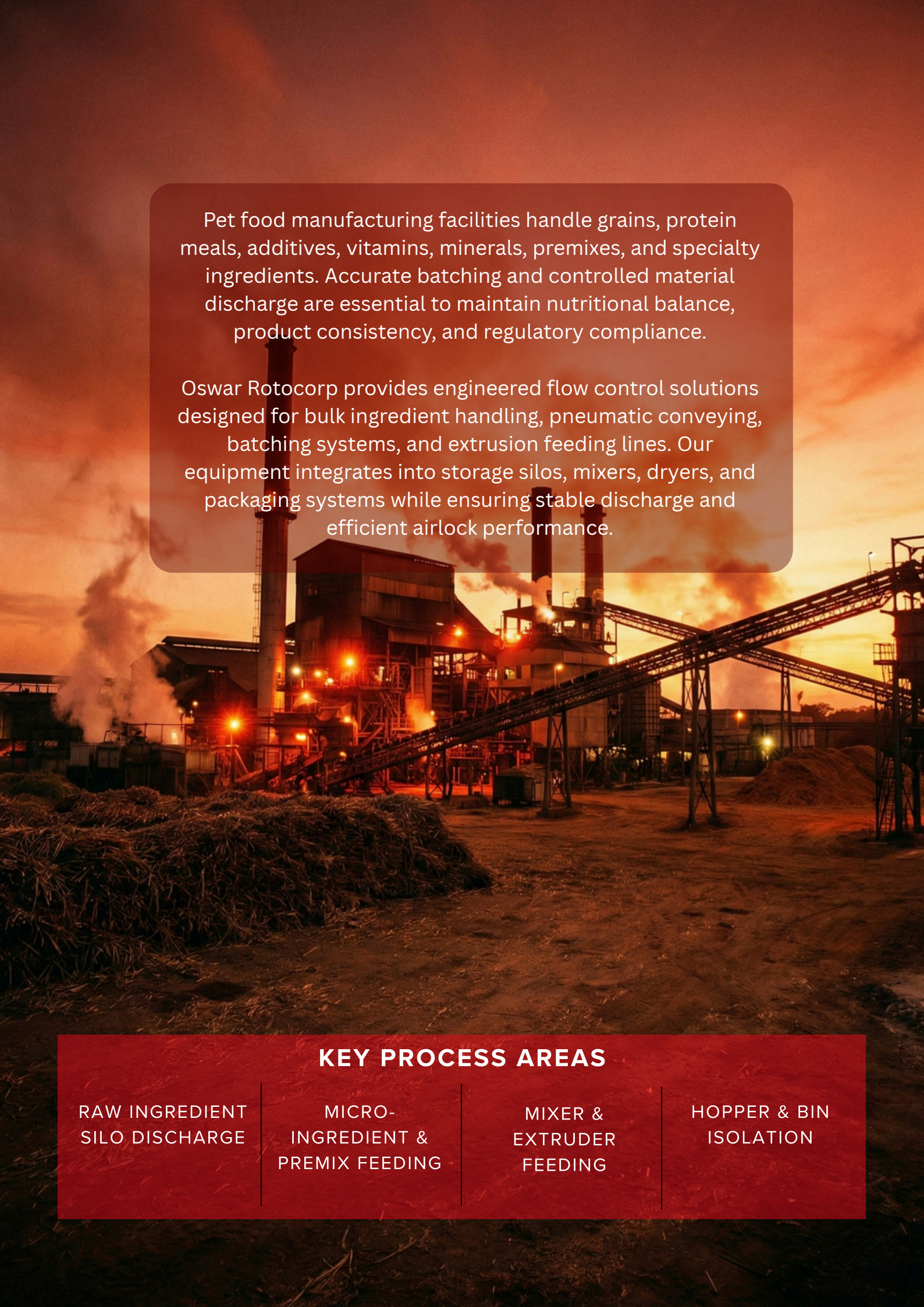


PET FOOD INDUSTRY

SAFE & CONSISTENT NUTRITION PRODUCTION



OSWAR
rotocorp



Pet food manufacturing facilities handle grains, protein meals, additives, vitamins, minerals, premixes, and specialty ingredients. Accurate batching and controlled material discharge are essential to maintain nutritional balance, product consistency, and regulatory compliance.

Oswar Rotocorp provides engineered flow control solutions designed for bulk ingredient handling, pneumatic conveying, batching systems, and extrusion feeding lines. Our equipment integrates into storage silos, mixers, dryers, and packaging systems while ensuring stable discharge and efficient airlock performance.

KEY PROCESS AREAS

RAW INGREDIENT
SILO DISCHARGE

MICRO-
INGREDIENT &
PREMIX FEEDING

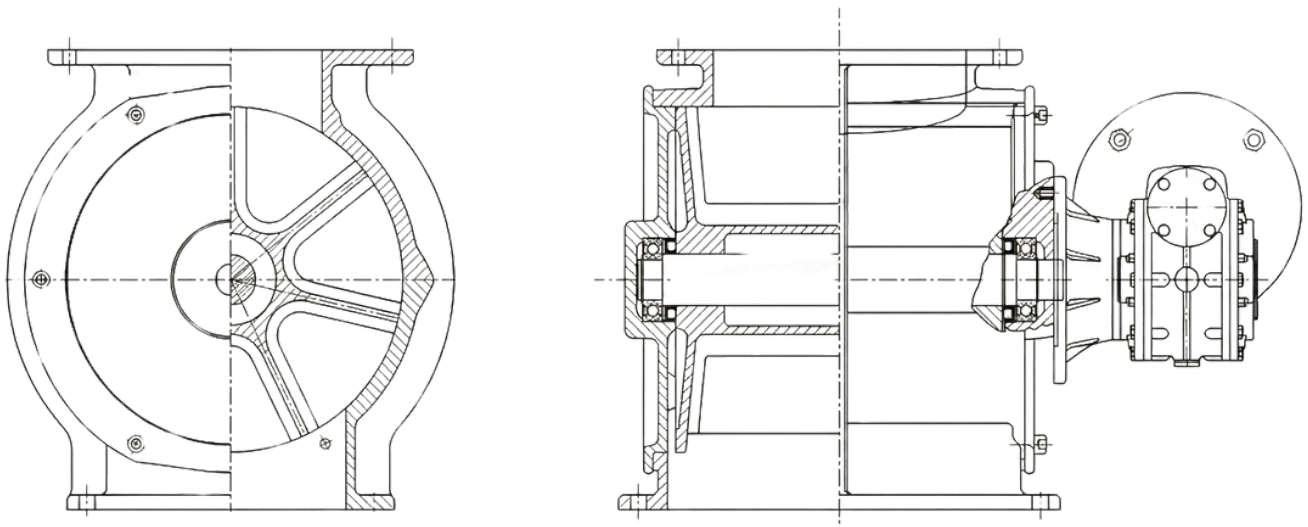
MIXER &
EXTRUDER
FEEDING

HOPPER & BIN
ISOLATION

BUILT FOR ACCURACY, RELIABILITY & PROCESS HYGIENE

Pet food production demands precise volumetric feeding and contamination-controlled material transfer. Equipment must ensure uniform discharge while supporting continuous production schedules.

Rotary Valves are engineered with optimized rotor geometry and controlled internal clearances to provide consistent material feeding and reliable airlock performance in pneumatic conveying systems. Durable construction supports long-term performance in demanding production environments.



SOLUTION PORTFOLIO INCLUDES:

- Rotary Valves for Ingredient Handling
- Pneumatic Conveying Rotary Valves
- Precision Feeding Rotary Valves
- Slide Gate Valves for Silo Isolation
- Diverter Valves for Multi-Line Distribution

SUPPORTING SAFE & HIGH-QUALITY PET NUTRITION

- **Uniform & Controlled Ingredient Feeding**
- **Improved Airlock Efficiency**
- **Reduced Material Loss & Dust Emissions**
- **Stable Operation in Continuous Production**
- **Lower Maintenance Requirements**
- **Extended Equipment Service Life**



OSWAR

rotocorp

Corporate Office

Jaipur, Rajasthan India
Nagpur, Maharashtra India

Sales Inquiries

info@oswarrotocorp.com

Helpline

[+44 7917 128505](tel:+447917128505) | +91 77422 36474

Copyright © 2026 OSWAR ROTOCORP. All Rights Reserved. OSWAR® is a registered trademark of **OSWAR ROTOCORP**. This brochure makes no offers, representations or warranties (express or implied), and information and data contained in this brochure are for general reference only and may change at any time.